

Bobbin Winder

Assembly Instructions

September 2020

Parts List

ITEM	PART #	DESCRIPTION	QTY
1	QM10210	MAST - THREAD TELESCOPING	1
2	QM10173	SCREW - M4 X 10 PHP ZN	2
3	QM10292	SPOOL PIN THREADS CHROME	1
4	HG00461	BOBBIN WINDER	1
5	HG00461-1	BASE PLATE-BOBBIN WINDER	1

Tools Needed (not provided):

- #2 Phillips screwdriver
- 10mm wrench
- Protective cloth (such as a terry washcloth)
- Pliers

Section 1: Bobbin Winder Assembly

Step 1: Attach the bobbin winder assembly (item 4) to the base plate (item 5) with two M4 X 10 screws (item 2).

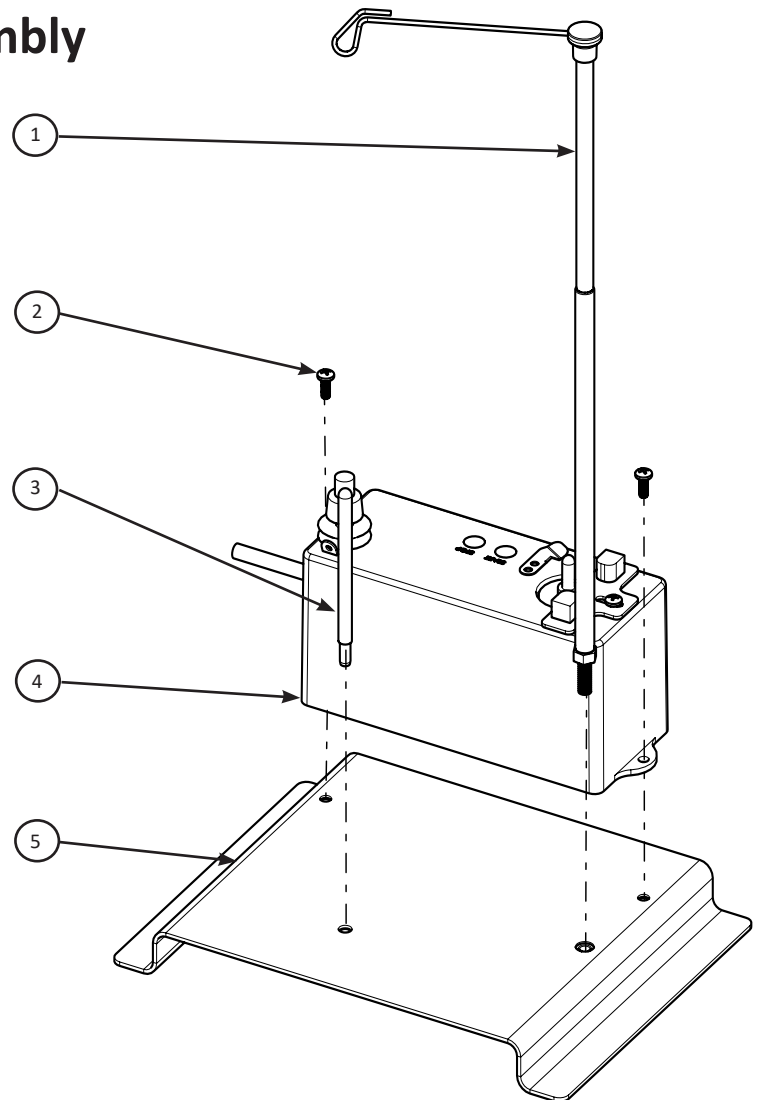
Step 2: Tighten the two screws firmly with a #2 Phillips screwdriver (not provided).

Step 3: Thread the thread mast assembly (item 1) into the base plate.


Step 4: Tighten the thread mast nut with a 10mm wrench (not provided).

Step 5: Thread the spool pin (item 3) into the baseplate.

Step 6: Tighten the spool pin with a protective cloth, such as a terry washcloth, and pliers (not provided).



Section 2: Bobbin Winder Adjustments


 **NOTE:** The bobbin winder has adjustments that will greatly enhance its performance and ensure the quality of the wind on the bobbins:

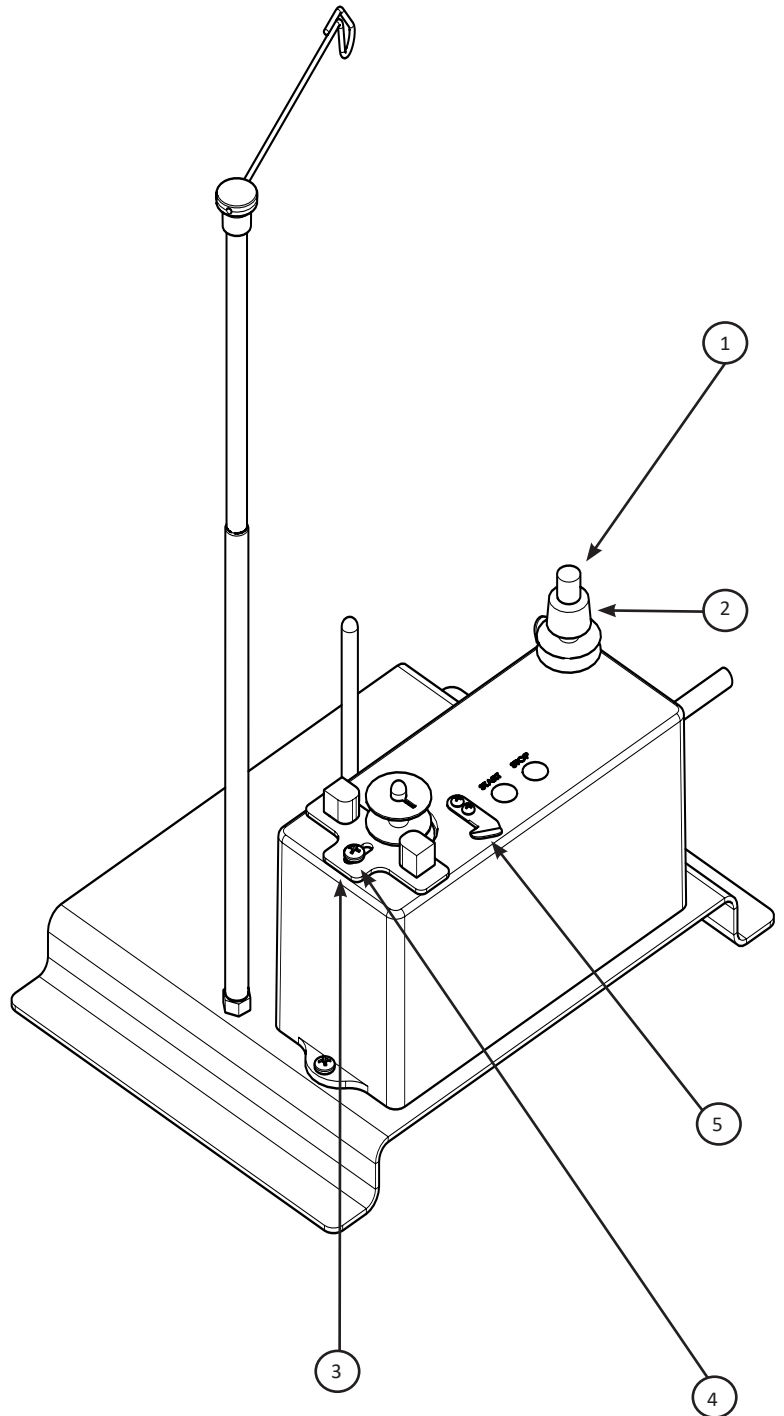
Vertical Fill Adjustment: Turn the smaller top knob (item 1) up or down until the thread bounces up and down and fills the bobbin evenly, top to bottom within the bobbin flanges.

Tension Adjustment: Turn the lower, larger knob (item 2) clockwise to tighten and counter clockwise to loosen the pre-tension. Turn the knob just tight enough for the bobbin thread to wind firmly. The thread should not be spongy (too loose), or warp the bobbin (too tight). A warped bobbin is rendered unusable. Too much pre-tension will also stretch the thread during winding.

Amount of Fill Adjustment: This adjustment determines how full the bobbin will be when the bobbin winder shuts off. The bobbin thread should be a little inside the bobbin flanges, so that the thread will not be too tight within the machine's bobbin case.

Loosen the screw (item 4) on the sensor (item 3) with a #2 Phillips screwdriver and slide the sensor away from the bobbin for a fuller bobbin or toward the bobbin for less thread wind onto the bobbin.

 **NOTE:** the bobbin winder does have a small thread cutter (item 5) to cut the thread once the bobbin is wound.



Section 3: How to Wind a Bobbin on the Bobbin Winder

Step 1: Place cone or spool of thread on the spool pin at the back of the bobbin winder.

Step 2: Pull the thread up and through the top loop on the thread mast that should be directly above the spool of thread.

Step 3: Run the thread through the small silver thread guide on the back of the tension knob from back to front.

Step 4: Floss the thread between the two tension disks in a clockwise direction.

Step 5: Place an empty bobbin on the bobbin pin.

Step 6: Bring the thread up through the slot in the bobbin.

Step 7: Holding the tail of the thread, press the blue Start button to wind the bobbin. Once the thread is winding on the bobbin, let go of the thread tail.

Step 8: You can either push the red stop button to stop the winding process or the winder will automatically stop when the sensor is triggered.

