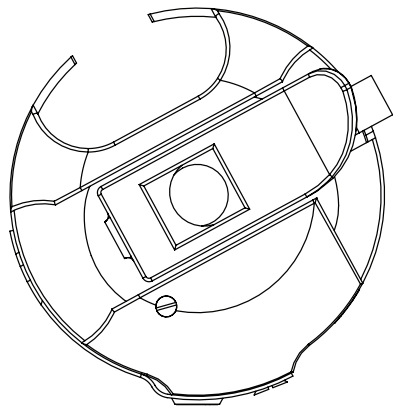


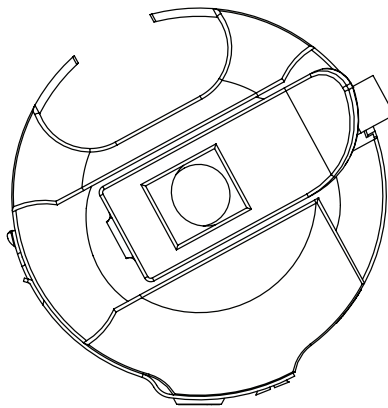
# Know Your Bobbin Case

There are three types of bobbin cases that are used in various generations of HQ longarm machines. Do you know which type your machine uses? Get to know the subtle differences between bobbin cases, parts associated with each, and the importance of identification.

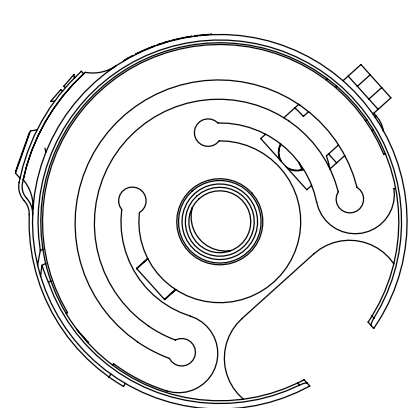
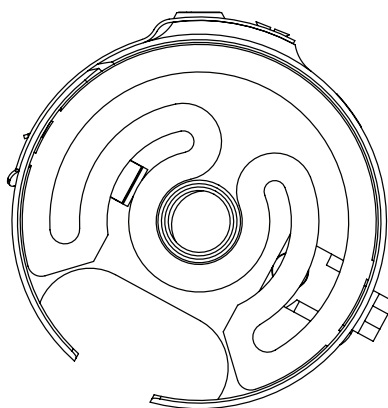
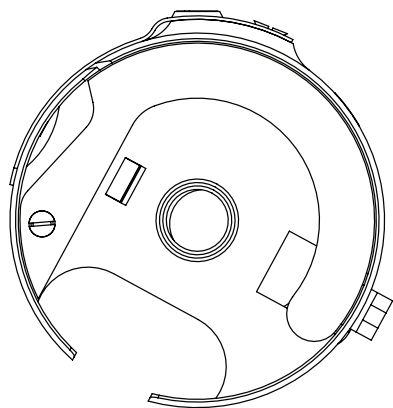
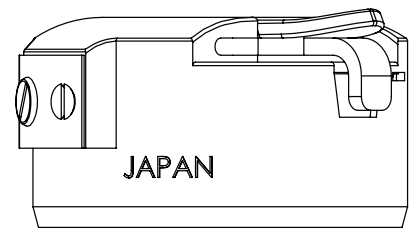
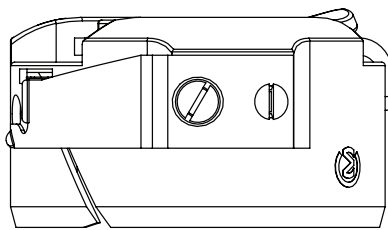
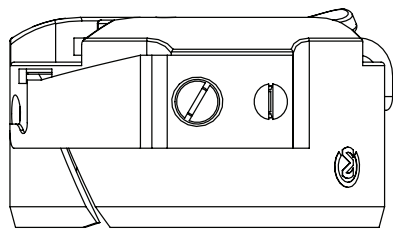
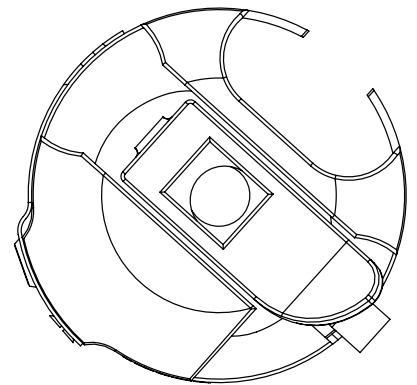
Pre-2017 Cerliani



Post-2017 Cerliani

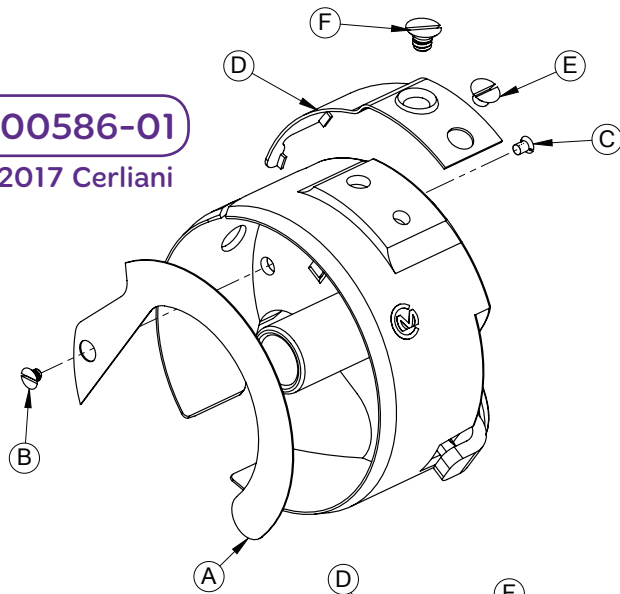


Koban



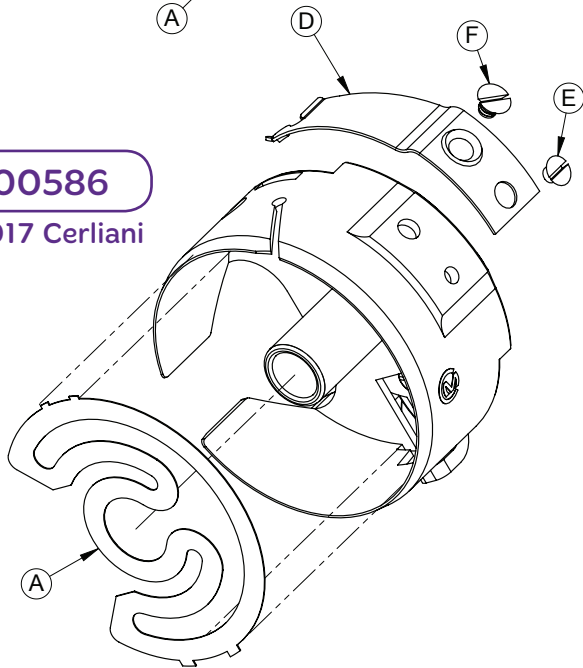
## QM00586-01

Pre-2017 Cerliani



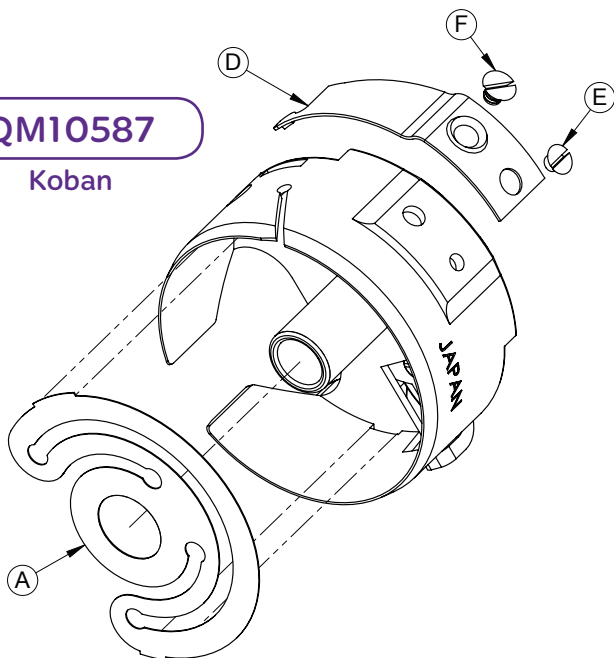
## QM00586

Post-2017 Cerliani



## QM10587

Koban



### QM00586-01 • PRE-2017 CERLIANI BOBBIN CASE PARTS

ITEM	PART #	DESCRIPTION
A	QM00586-081-01	Bobbin Brake Spring
B	QM10589-103	Brake Spring Screw
C	QM10589-104	Brake Adjusting Screw
D	QM10589-92-01	Tension Spring
E	QM10589-94	Tension Spring Fastening Screw
F	QM10589-95	Tension Spring Adjusting Screw

### QM00586 • POST-2017 CERLIANI BOBBIN CASE PARTS

ITEM	PART #	DESCRIPTION
A	QM00586-081	Bobbin Brake Spring
B	N/A	Brake Spring Screw
C	N/A	Brake Adjusting Screw
D	QM10589-92	Tension Spring
E	QM10589-94	Tension Spring Fastening Screw
F	QM10589-95	Tension Spring Adjusting Screw

### HQ LONGARMS WITH CERLIANI BOBBIN CASES

HQ Sixteen	HQ Avanté
HQ Sweet Sixteen	HQ Fusion
<p>These machines generally have a silver hook. The primary visual difference between these two bobbin cases is the bobbin brake spring (Item A).</p>	

### QM10587 • KOBAN BOBBIN CASE PARTS

ITEM	PART #	DESCRIPTION
A	QM00587-081	Bobbin Brake Spring
B	N/A	Brake Spring Screw
C	N/A	Brake Adjusting Screw
D	QM10587-92	Tension Spring
E	QM10589-94	Tension Spring Fastening Screw
F	QM10589-95	Tension Spring Adjusting Screw

### HQ LONGARMS WITH KOBAN BOBBIN CASES

HQ Simply Sixteen	HQ Forte
HQ Amara	HQ Infinity
<p>These machines generally have a black hook which always use the Koban bobbin cases.</p>	