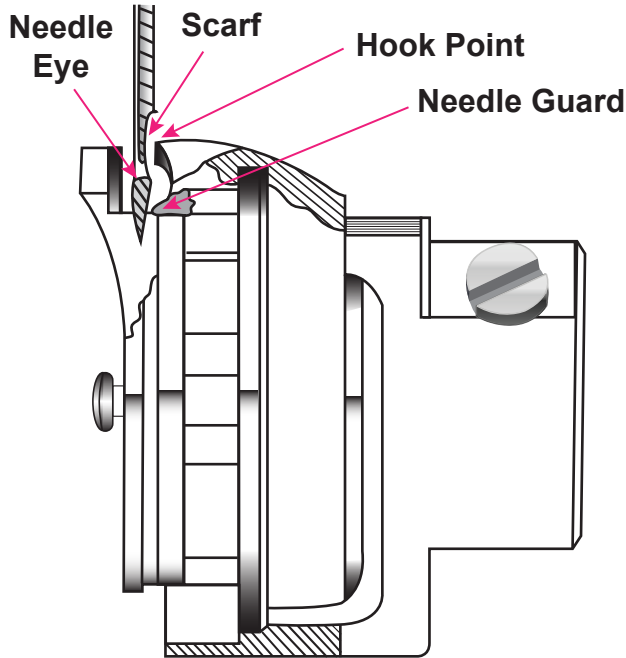
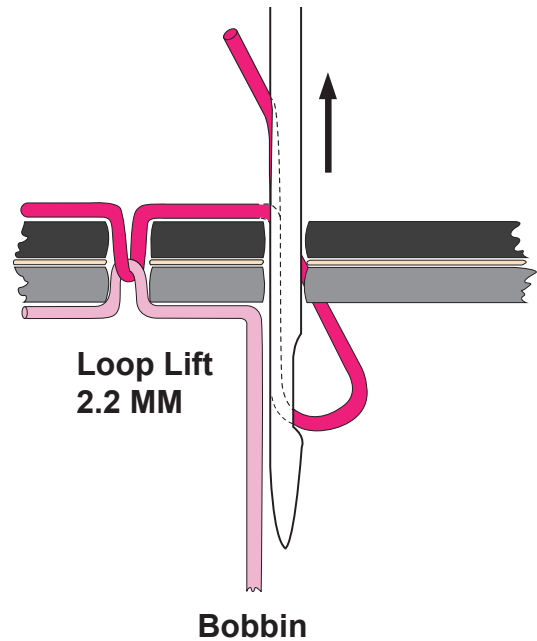


TNT: Threads, Needles, Tension

Rotary Hook



Stitch Formation



Thread/Needle Guide

Needle Size	Threads
12 (80)	Silk (100wt.) 60 wt., monofilament, mylar
14 (90)	Silk (100wt.) 60 wt., monofilament, mylar
16 (100)	60 wt., 50 wt., 40 wt., monofilament, mylar, metallic, cotton, poly
18 (110)	50 wt., 40 wt., 30 wt., metallic
20 (120)	30 wt., 20 wt., 12 wt.

Tension Quick Start

*Bobbin adjustments are minute, like ticks of the clock.
Top adjustments can require full turns of the knob.*

1. Always adjust bobbin thread tension FIRST.

2. Stitch out to check top tension.
3. If top thread looks like *Diagram A*

Problem: The top thread is too tight. **Solution:** Loosen the top thread tension discs (turn left).

4. If top thread looks like *Diagram B*

Problem: The top thread is too loose. **Solution:** Tighten the top thread tension discs (turn right).

