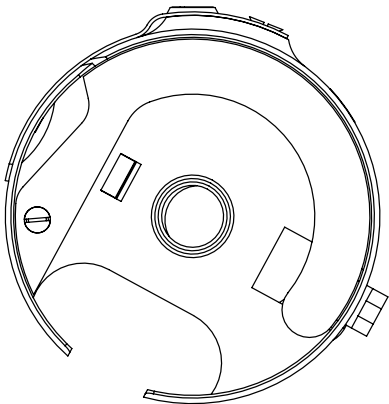
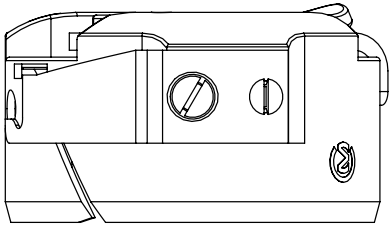
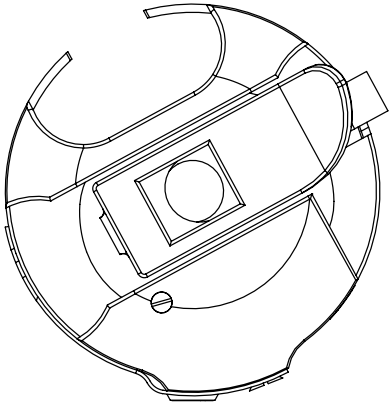


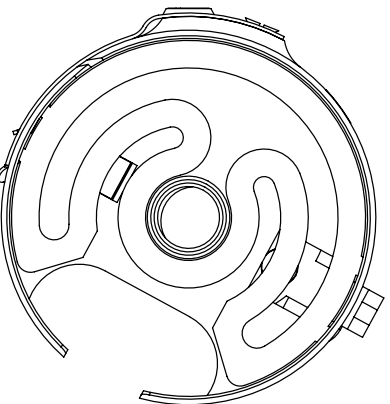
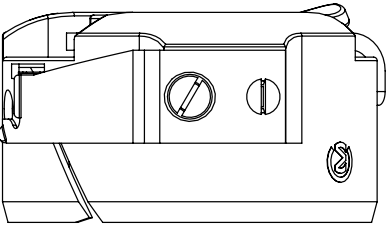
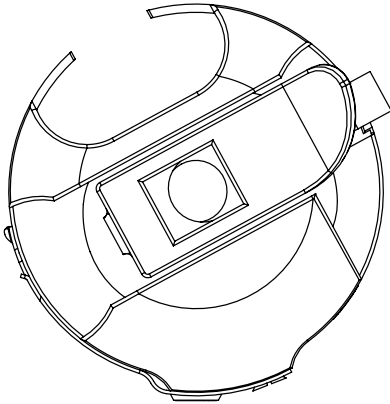
KNOW YOUR BOBBIN CASE

There are four types of bobbin cases that are used in various generations of HQ longarm machines. While any of the four types may be used in any HQ longarm machine, it is important to know which type bobbin case you have when ordering parts.

Pre-2017 Cerliani



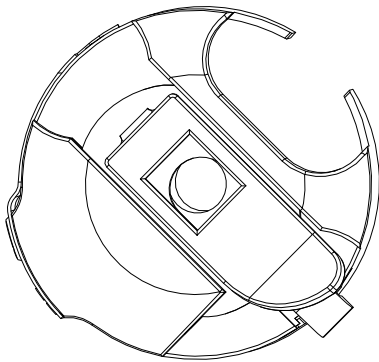
Post-2017 Cerliani



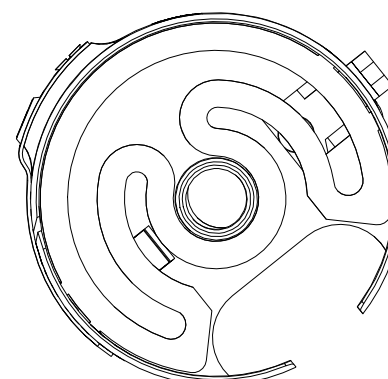
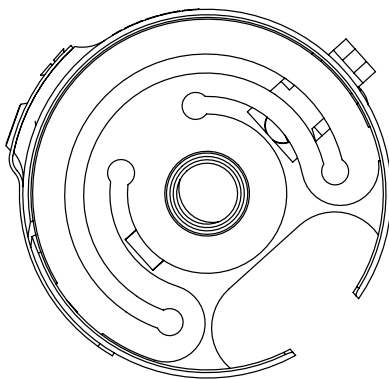
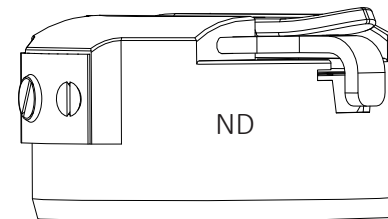
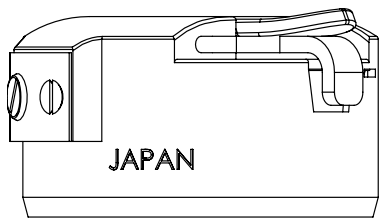
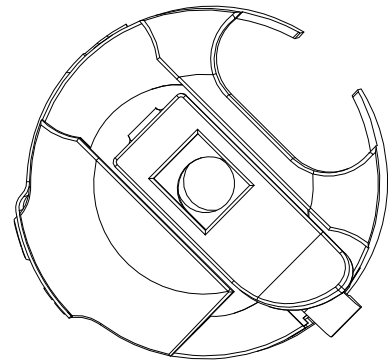
KNOW YOUR BOBBIN CASE

There are four types of bobbin cases that are used in various generations of HQ longarm machines. While any of the four types may be used in any HQ longarm machine, it is important to know which type bobbin case you have when ordering parts.

Koban



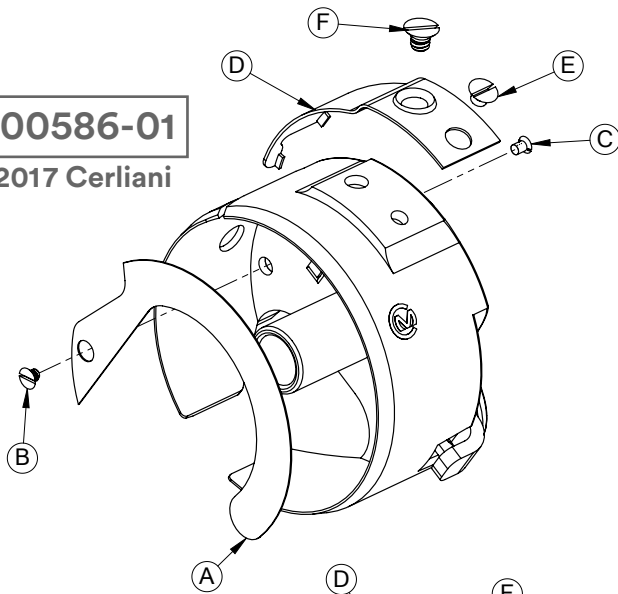
Desheng



Handi Quilter
BY QUILTERS FOR QUILTERS

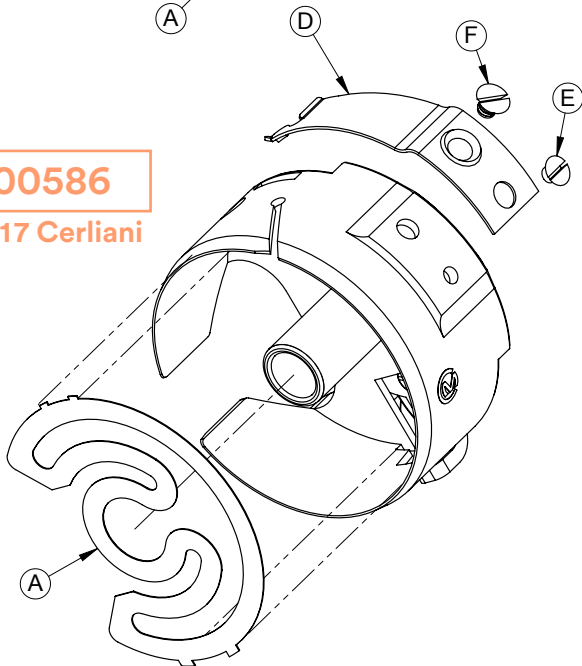
QM00586-01

Pre-2017 Cerliani



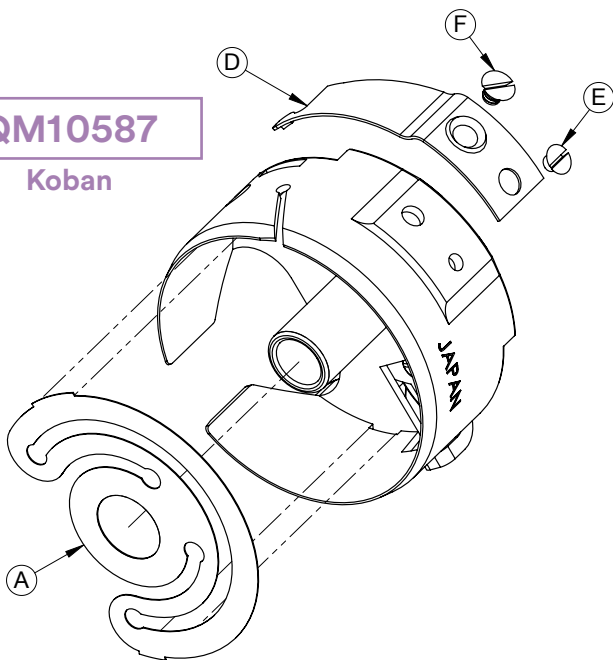
QM00586

Post-2017 Cerliani



QM10587

Koban



QM00586-01 • PRE-2017 CERLIANI BOBBIN CASE PARTS

| ITEM | PART # | DESCRIPTION |
|------|----------------|--------------------------------|
| A | QM00586-081-01 | Bobbin Brake Spring |
| B | QM10589-103 | Brake Spring Screw |
| C | QM10589-104 | Brake Adjusting Screw |
| D | QM10589-92-01 | Tension Spring |
| E | QM10589-94 | Tension Spring Fastening Screw |
| F | QM10589-95 | Tension Spring Adjusting Screw |

QM00586 • POST-2017 CERLIANI BOBBIN CASE PARTS

| ITEM | PART # | DESCRIPTION |
|------|----------------|--------------------------------|
| A | QM10600 | Bobbin Brake Spring |
| B | Not Applicable | Brake Spring Screw |
| C | Not Applicable | Brake Adjusting Screw |
| D | QM10589-92 | Tension Spring |
| E | QM10589-94 | Tension Spring Fastening Screw |
| F | QM10589-95 | Tension Spring Adjusting Screw |

➡ Note: Cerliani bobbin case baskets are made of steel with a clear silver colored wear coating. The basket center pin is what the bobbin case snaps onto.

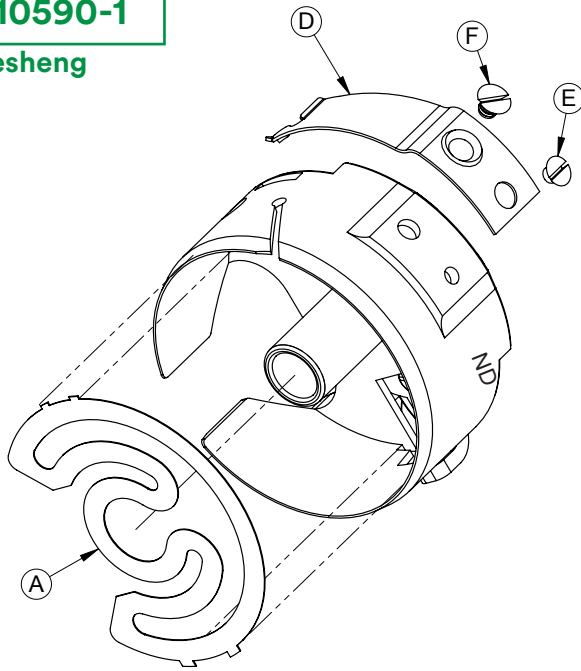
QM10587 • KOBAN BOBBIN CASE PARTS

| ITEM | PART # | DESCRIPTION |
|------|----------------|--------------------------------|
| A | QM10587-081 | Bobbin Brake Spring |
| B | Not Applicable | Brake Spring Screw |
| C | Not Applicable | Brake Adjusting Screw |
| D | QM10587-92 | Tension Spring |
| E | QM10589-94 | Tension Spring Fastening Screw |
| F | QM10589-95 | Tension Spring Adjusting Screw |

➡ Note: Koban bobbin case baskets are made of steel with a black colored wear coating. The basket center pin is what the bobbin case snaps onto.

QM10590-1

Desheng



QM00586 • POST-2017 CERLIANI BOBBIN CASE PARTS

| ITEM | PART # | DESCRIPTION |
|------|----------------|--------------------------------|
| A | QM10600 | Bobbin Brake Spring |
| B | Not Applicable | Brake Spring Screw |
| C | Not Applicable | Brake Adjusting Screw |
| D | Not Available | Tension Spring |
| E | Not Available | Tension Spring Fastening Screw |
| F | Not Available | Tension Spring Adjusting Screw |